



TECHNICAL BULLETIN

Kämmer® Series CleanFlow™ - 191700/800 Aseptic and Sanitary Valves

FCD KMENTB9134-00 09/16



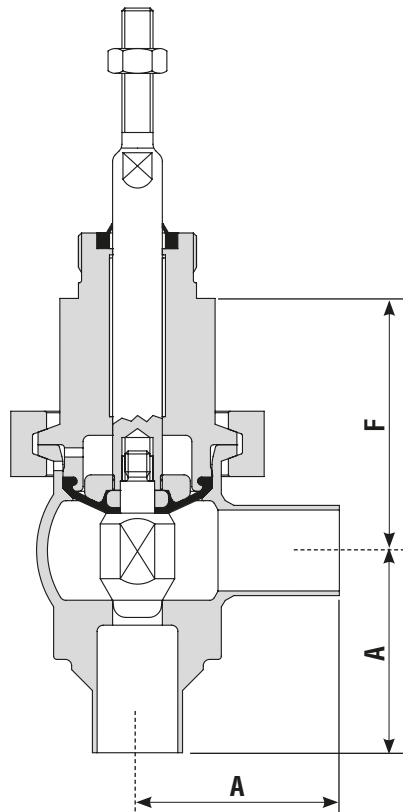
Experience In Motion

						10	15	20	25	32	40	50	65	80	100
						3/8"	1/2"	3/4"	1"	1 1/4"	1 1/2"	2"	2 1/2"	3"	4"
K_{vs} / C_v values															
K _{vs} / C _v	Trim#	C _v	Trim#	Seat dia. (mm/in)											
0.011	3H	0.013	.12H	3 / 0.12	x	x									
0.017	3G	0.02	.12G	3 / 0.12	x	x									
0.025	3F	0.029	.12F	3 / 0.12	x	x									
0.04	3E	0.047	.12E	3 / 0.12	x	x									
0.063	3D	0.074	.12D	3 / 0.12	x	x									
0.1	3C	0.12	.12C	3 / 0.12	x	x	x								
0.16	3B	0.19	.12B	3 / 0.12	x	x	x								
0.25	3A	0.29	.12A	3 / 0.12	x	x	x								
0.4	4.5B	0.47	.18B	4.5 / 0.18	x	x	x								
0.63	4.5A	0.74	.18A	4.5 / 0.18	x	x	x								
1	7B	1.2	.28B	7 / 0.28	x	x	x								
1.6	7A	1.9	.28A	7 / 0.28	x	x	x								
2.5	10	2.9	.40	10 / 0.40		x	x								
4	12	4.7	.48	12 / 0.48		x	x	x							
6.3	16	7.4	.63	16 / 0.63			x	x	x						
10	20	12	.80	20 / 0.80				x	x	x					
16	25	19	1.00	25 / 1.00					x	x	x				
25	32	29	1.25	32 / 1.25						x	x	x			
40	40	47	1.40	40 / 1.40							x ^(*)	x	x		
63	50	74	2.00	50 / 2.00								x	x	x	
100	63	120	2.50	63 / 2.50									x	x	x
160	80	190	3.20	80 / 3.20											x ^(*)
Stroke						10 / 0.394						10/0.394 13/0.512(*)	20 / 0.787		20/0.787 25/1.00(*)
mm / in						10 / 0.394						10/0.394 13/0.512(*)	20 / 0.787		20/0.787 25/1.00(*)
Pressure Classes															
PN 10						x									
End Connection Type															
DIN 11850 Reihe 2 (DN10 - 100) weld ends						x									
DIN 11851 threaded connections						x									
APV Flanges						x	-	x	-	x	x	x	x	x	x
DIN 32676 clamped						x									
ISO 2852 clamped						-						x			
Others on request						x									
Bonnet Type															
Aseptic diaphragm w/o test port 1/4" NPT (3A version - 191700)						x									
Aseptic diaphragm with test port 1/4" NPT						x									
Surface Finish															
Ra 0.6µm						x									
Ra 0.5µm						x									
Ra 0.4µm electropolish						x									
Cleaning															
CIP (Cleaning In Place)						x									
SIP (Sterilization In Place)						x									
Temperature Range															
-10 °C to +150 °C / 14 °F to 302 °F (cleaning temperature)						x									
-10 °C to +120 °C / 14 °F to 248 °F (operating temperature)						x									
Plug Characteristic															
equal percentage						x									
linear						x									
On-Off						x									
Approvals															
EHEDG						x									
FDA						x									
PED 97/23						x									
ATEX 94/9						x									

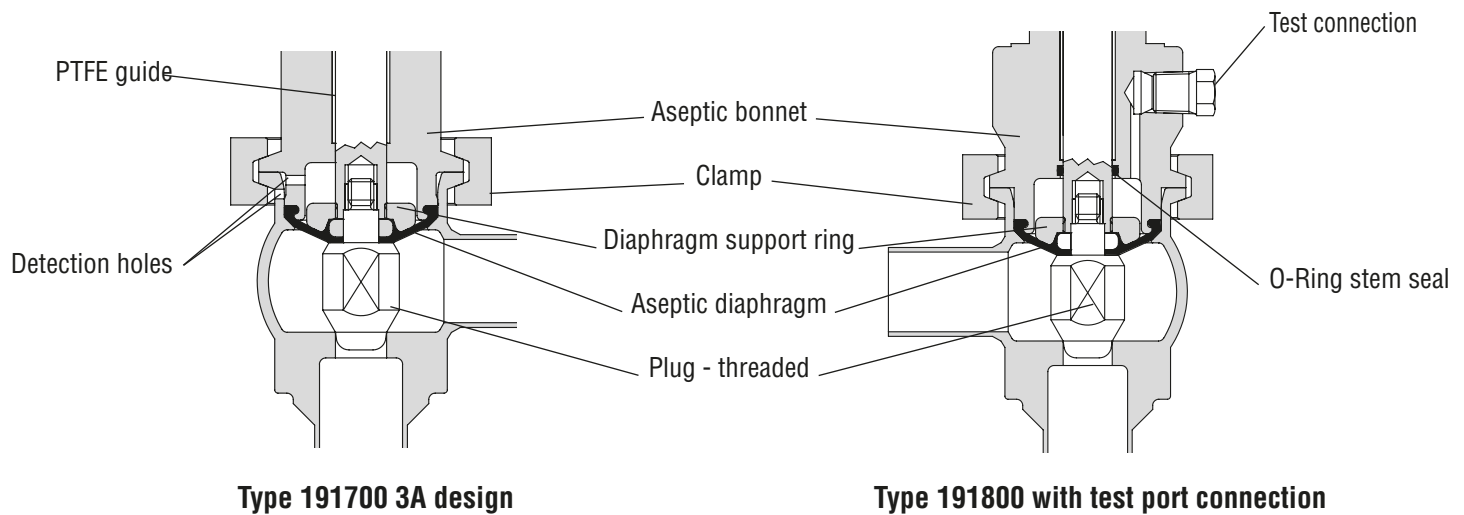
MATERIALS

Body Material		
1.4404 (316L) - 1.4435 upon request		x
Aseptic diaphragm		
TFM / EPDM		x
Plug Material		
1.4435 (316L)		x
Alloy 6 (optional)		x
Packing		
None - 191700 only		
Silicon O-Ring (FDA) - 191800 only		x
Body Gaskets		
None		x

DIMENSIONS & WEIGHTS



	10	15	20	25	32	40	50	65	80	100
	3/8"	1/2"	3/4"	1"	1 1/4"	1 1/2"	2"	2 1/2"	3"	4"
Dimension A										
DIN 11850 Reihe 2 (DN10 - 100) weld ends	60 / 2.36	60 / 2.36	60 / 2.36	65 / 2.56	70 / 2.76	75 / 2.95	85 / 3.35	100 / 3.94	110 / 4.33	120 / 4.72
DIN 11851 threaded connections	80 / 3.15	80 / 3.15	83 / 3.27	93 / 3.66	101 / 3.98	107 / 4.21	120 / 4.72	140 / 5.51	155 / 6.10	173 / 6.81
APV Flanges	73 / 2.87			89 / 3.50		99 / 3.90	109 / 4.29	124 / 4.88	134 / 5.28	144 / 5.67
Dimension F										
Aseptic bonnet	81 / 3.19	81 / 3.19	81 / 3.19	81 / 3.19	81 / 3.19	82 / 3.23	84 / 3.31	105 / 4.13	109 / 4.29	115 / 4.53





Europe, Middle East, Africa

Flowserve Essen GmbH
Schederhofstr. 71
45145 Essen
Germany
Phone: +49 201 8919 5
Fax: +49 201 8919 662

Americas

Flowserve Flow Control
Quick Response Center
4001 Flowserve Way Suite 300
USA
Pasadena, TX 77503
Phone: +1 713 286 3100

Asia Pacific

Flowserve Pte. Ltd.
12 Tuas Avenue 20
Republic of Singapore 638824
Phone: +65 6879 8900
Fax: +65 6862 4940

Your contact:

A large, empty rectangular box with a dashed border, intended for a contact name or signature.

All data subject to change without notice
©09.2016 Flowserve Corporation. Flowserve and Kämmer are registered trademarks of Flowserve Corporation