



Kammer Actuators Series 1

Pneumatic Actuators



Experience In Motion

Actuator Series 1

Description

Linear actuators for control valves.

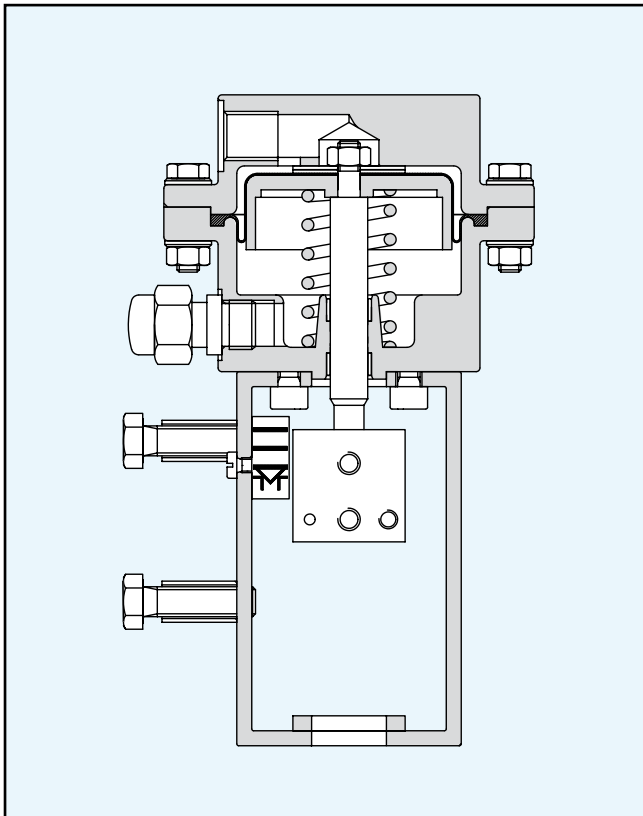
- Aluminium body
- Up to 4.5 bar supply
- Multi-spring design

Kammer actuators are powerful, compact units designed for high stroking thrusts. By chromalizing and using epoxy resin coated aluminium the actuators have far reaching resistance to corrosion. Accessories such as positioners, limit switches or solenoid valves etc. can be fitted according to NAMUR. Compact versions with enclosed accessories are also available.

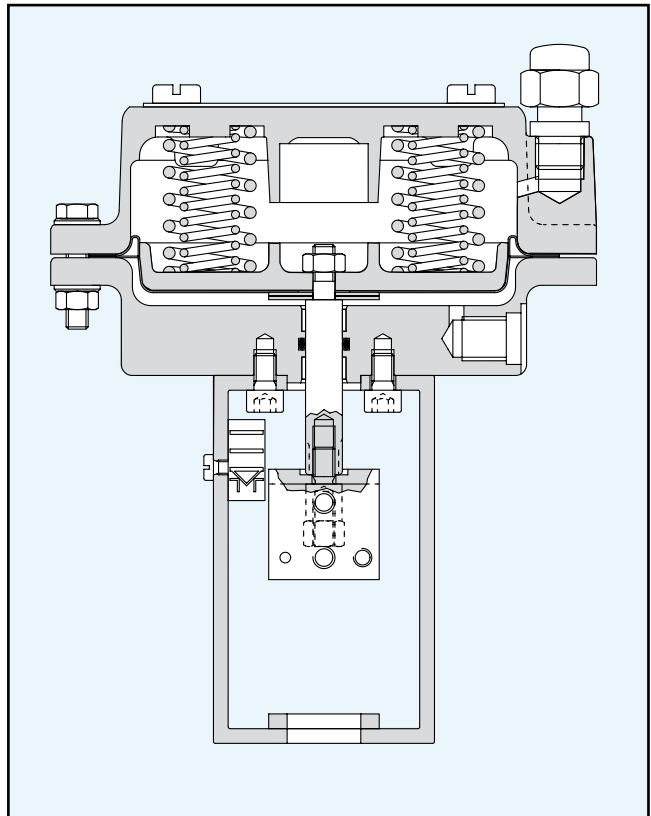
Definition of action

Air-to-open: without air supply the actuator stem extends

Air-to-close: without air supply the actuator stem retracts



Actuator P0



Actuator P1

Actuator Series 1

Technical Data

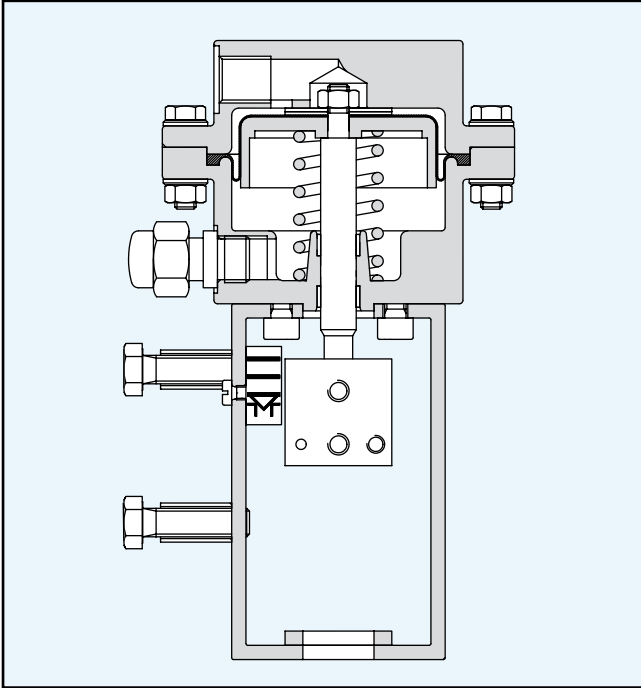
Actuator		P0	P1
Diaphragm area	cm ²	26	80
Thrust max.	daN	60 ¹ / 78 ²	160 ¹ / 170 ²
Stroke	mm	10	10
Actuator action		air to open / air to close	
Supply pressure	bar	4.5	
Air connection	(Standard)	1/4" NPT	
Allowable ambient temp.		-40 to +80 °C (-40 to +176 °F)	
Spring range		See table page 5	
Mounting position	(supply)	Optional (vertical preferred)	
Operating medium		Instrument air ³ (dry and oil free)	
Actuator cases		Stainless steel	
Diaphragm		Eco / polyamide	
Springs		Stainless steel	
Actuator stem		Stainless steel	
Screws, nuts		Stainless steel	
Other parts		Stainless steel/Aluminium/Plastic	

¹ Air-to-Open ² Air-to-Close ³ Other operating mediums on request.

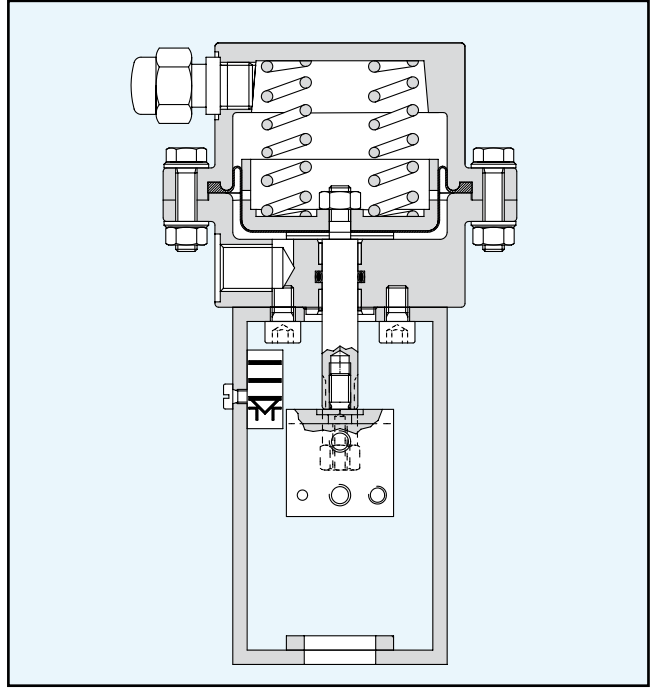
Actuator Series 1

Designs

Actuator P0

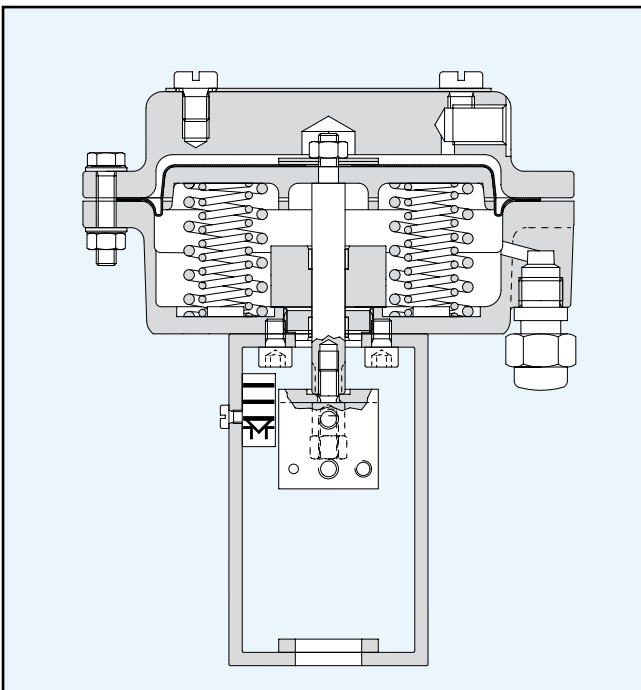


Actuator: Air-to-Close

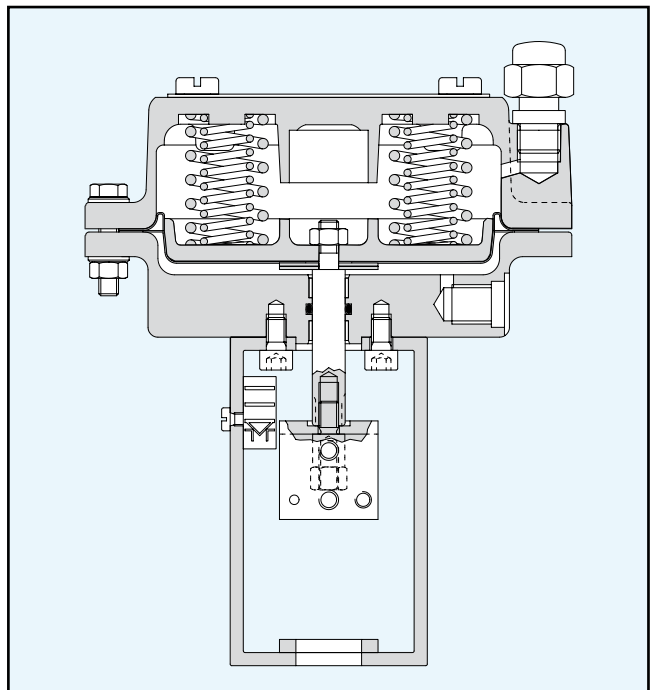


Actuator: Air-to-Open

Actuator P1



Actuator: Air-to-Close



Actuator: Air-to-Open

Actuator Series 1

Actuator thrust in relationship to spring set and supply pressure

Actuator P0

Air-to-open / Spring set to close

Spring set no.	2512	2513	2514
Spring range	1.35 - 2.3	1.8 - 3.0	2.3 - 3.8
Number of springs	3	4	5
Supply min. bar	2.5	3.2	4.0
Thrust (spring) [daN]	35	47	60

Air to close /Spring set to open

Spring set no.	2518			
Spring range	0.38 - 1.0			
Spring thrust [daN]	10			
Number of springs	1			
Supply min. bar	2.5	3.0	3.5	4.0
Thrust (air) [daN]	39	52	65	78

Actuator P1

Air to close /Spring set to open

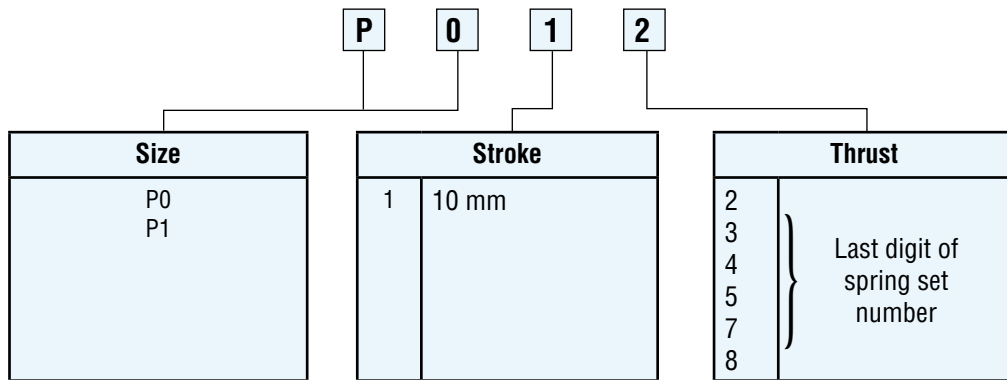
Spring set no.	714	715	717
Spring range	1.0 - 2.2	1.5 - 2.7	2.0 - 3.8
Supply min. bar	2.5	3.2	4.0
Thrust (spring) [daN]	80	120	160

Air-to-open / Spring set to close

Spring set no.	712			713		
Spring range	0.5 - 1.1			1.0 - 1.9		
Spring thrust [daN]	40			80		
Supply min. bar	2.5	3.0	3.5	3.0	3.5	4.0
Thrust (air) [daN]	100	140	180	90	130	170

Actuator Series 1

Model code

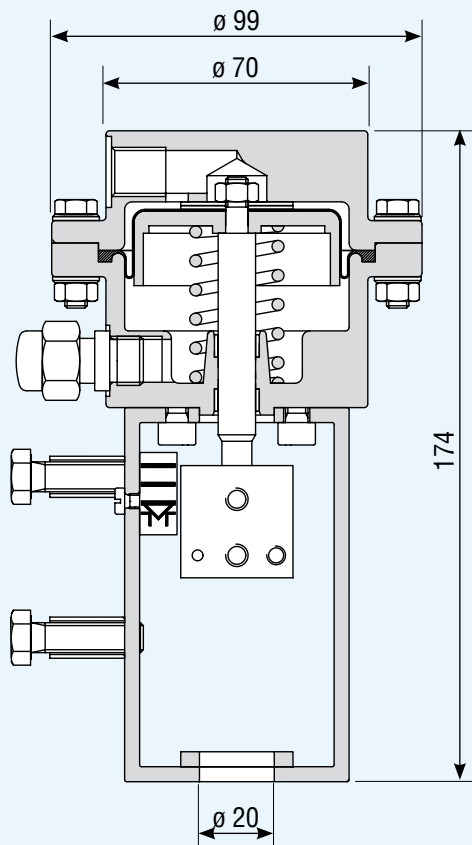


Weights [kg]

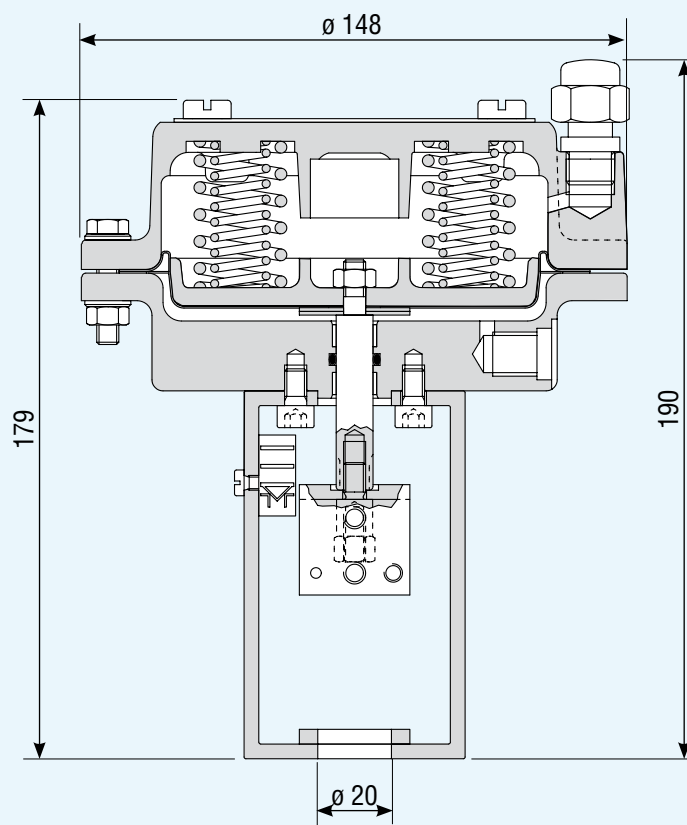
Series	P0	P1
	1	2

Actuator Series 1

Dimensions [mm]



Actuator P0



Actuator P1



Germany

Flowserve Essen GmbH
Flowserve Flow Control
Kämmer Ventile
Manderscheidtstrasse 19
45141 Essen
Germany
Tel.: +49 (0) 201 89 19 5
Fax.: +49 (0) 201 89 19 662

FCD KMENBR0020-00 - 01.07

Your contact:

A large, empty rectangular box with a dashed border, intended for the user to provide contact information.

All data subject to change without notice
©08.2000 Flowserve Corporation. Flowserve and Kämmer are trademarks of Flowserve Corporation